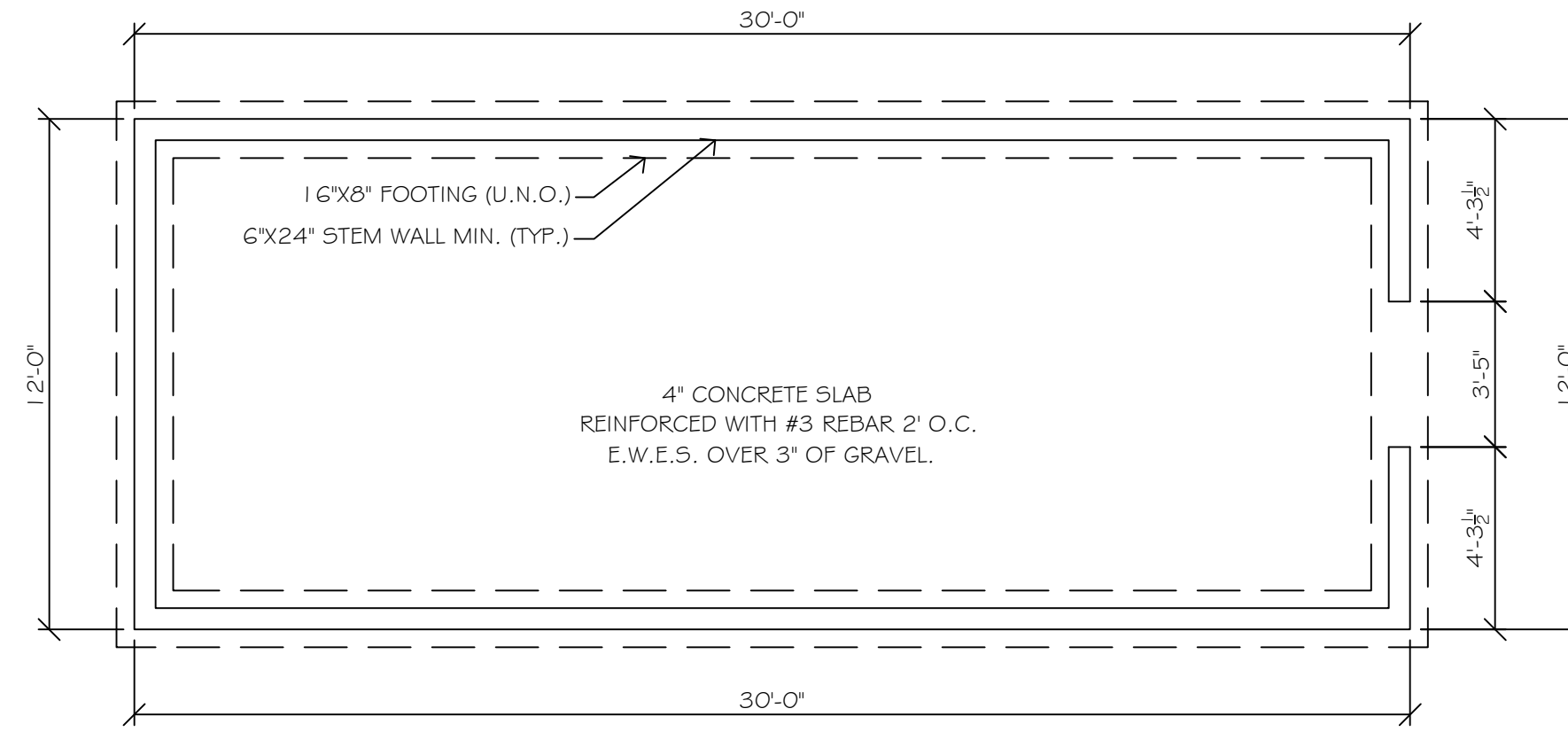
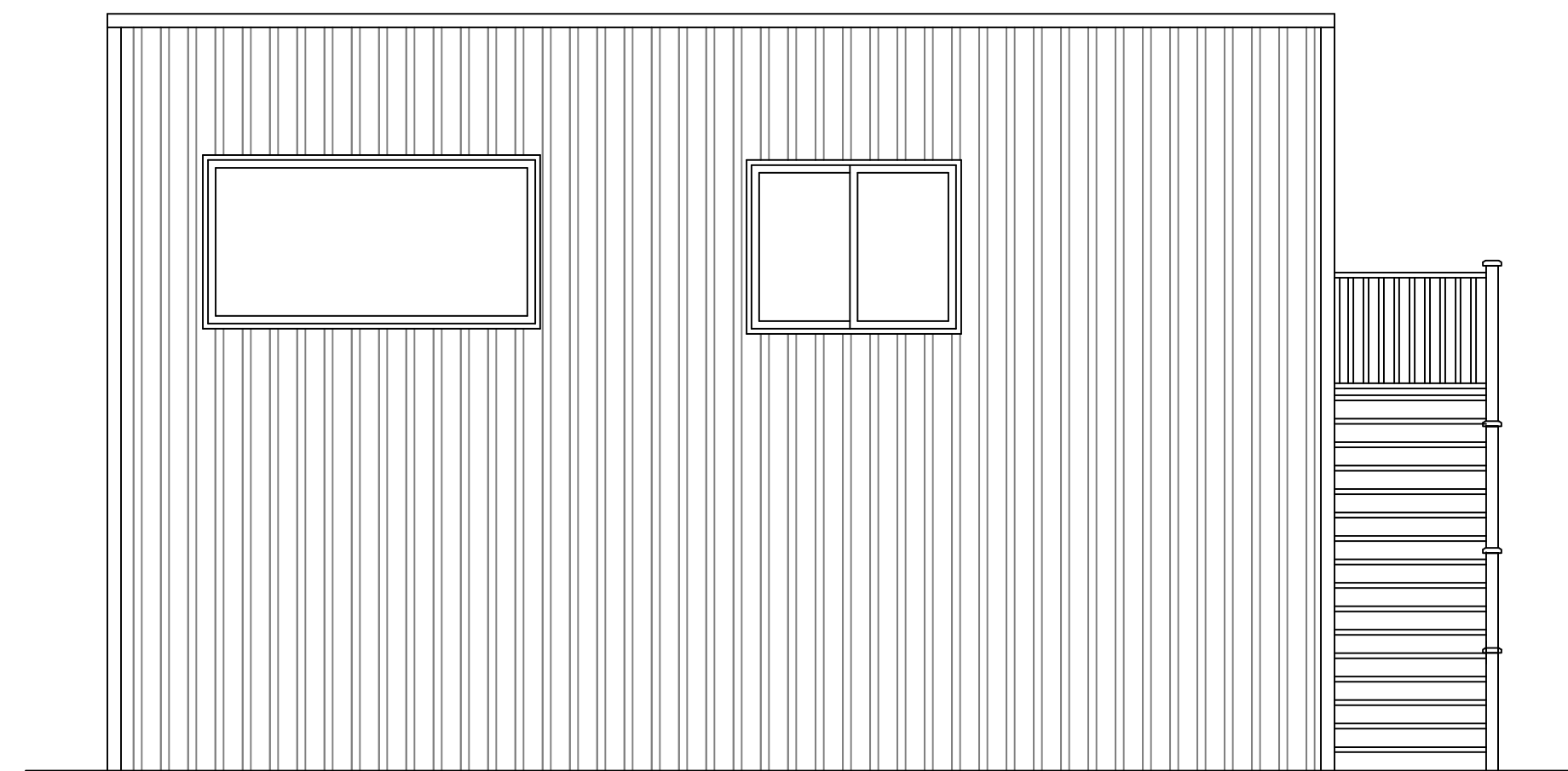
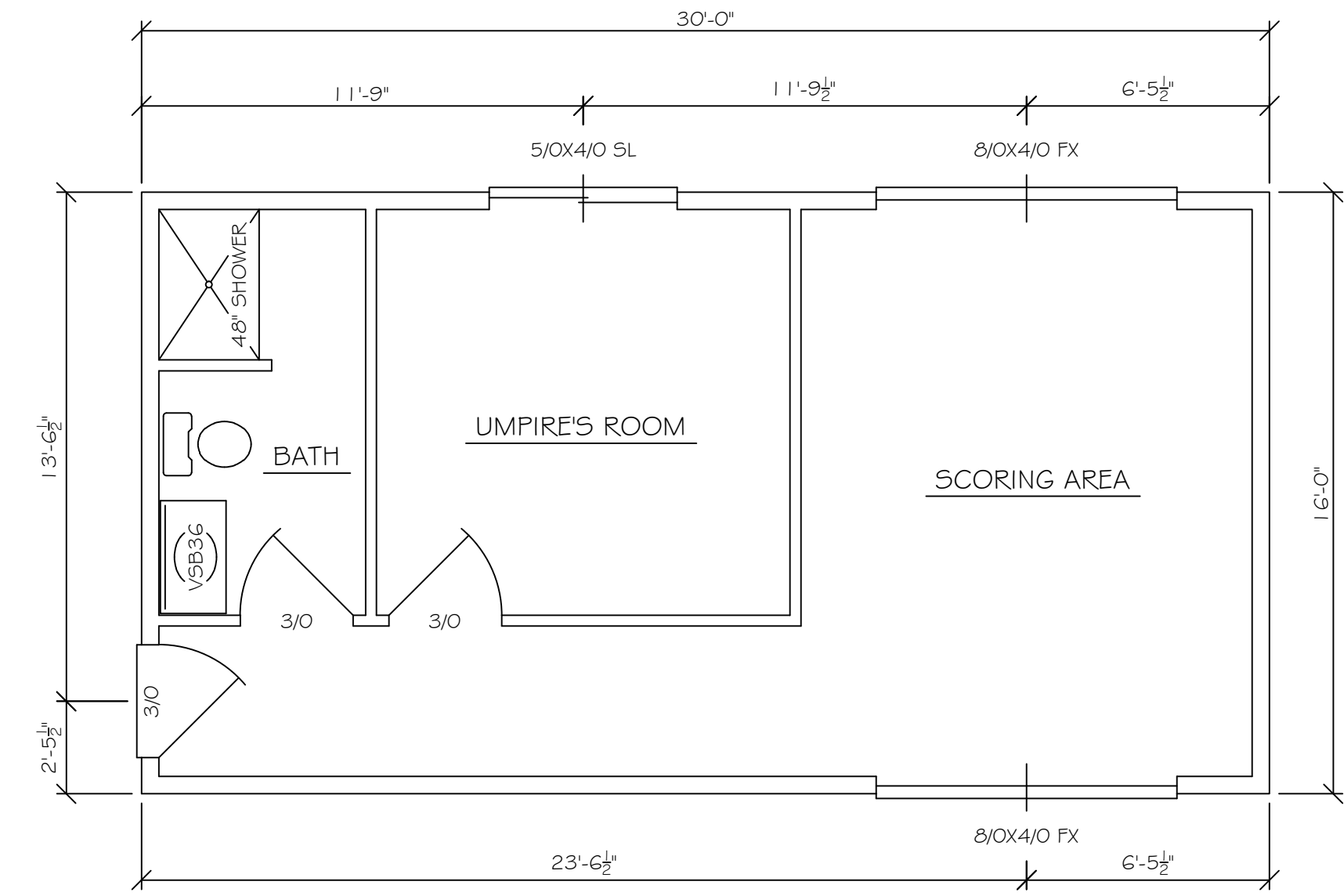


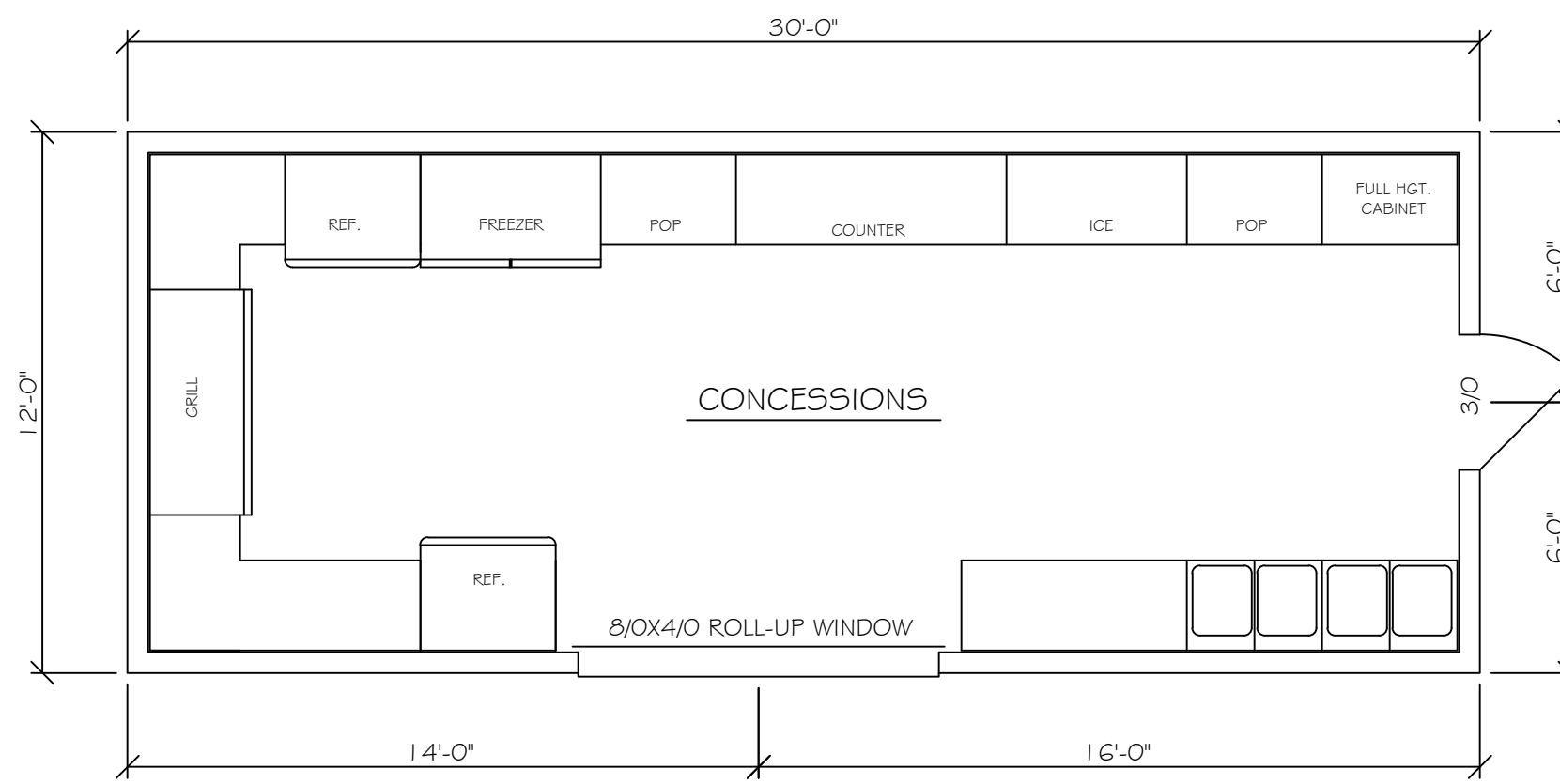
FRONT ELEVATION
SCALE: 1/4" = 1'



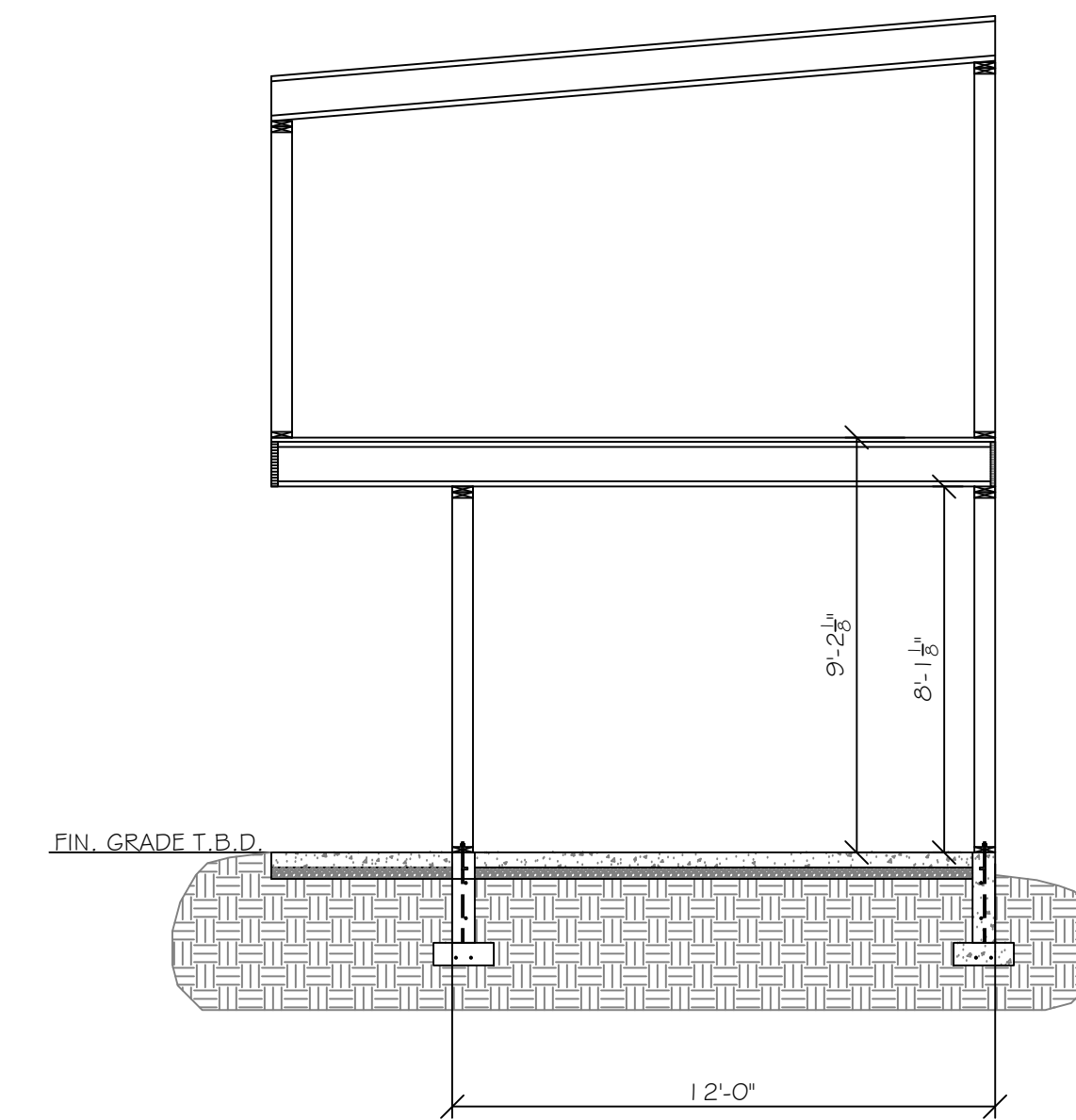
FOUNDATION PLAN
SCALE: 1/4" = 1'



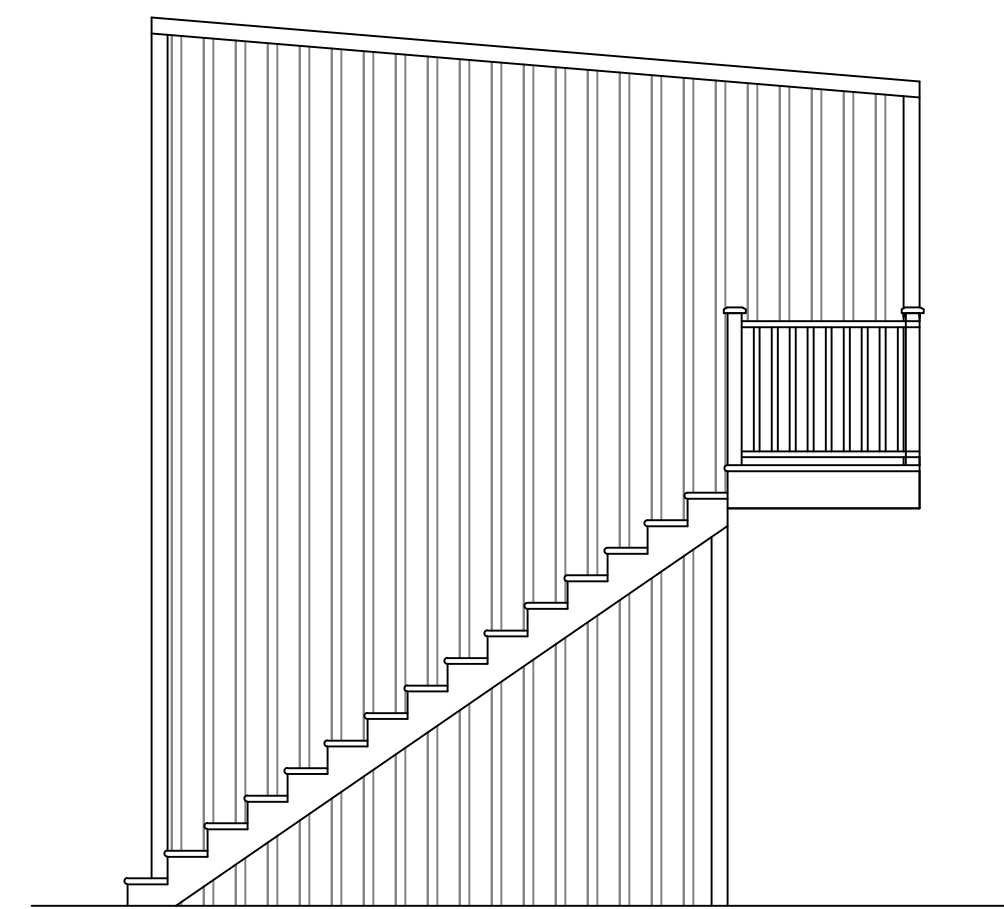
BACK ELEVATION
SCALE: 1/4" = 1'



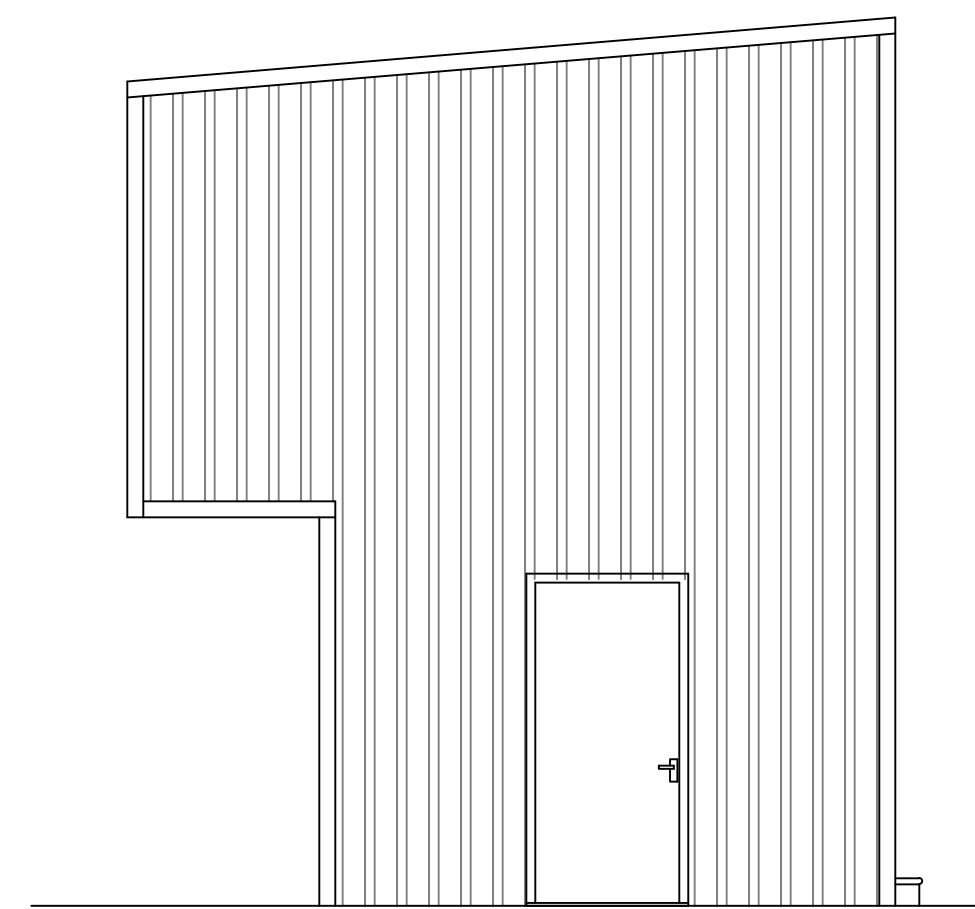
1st FLOOR PLAN
SCALE: 1/4" = 1'



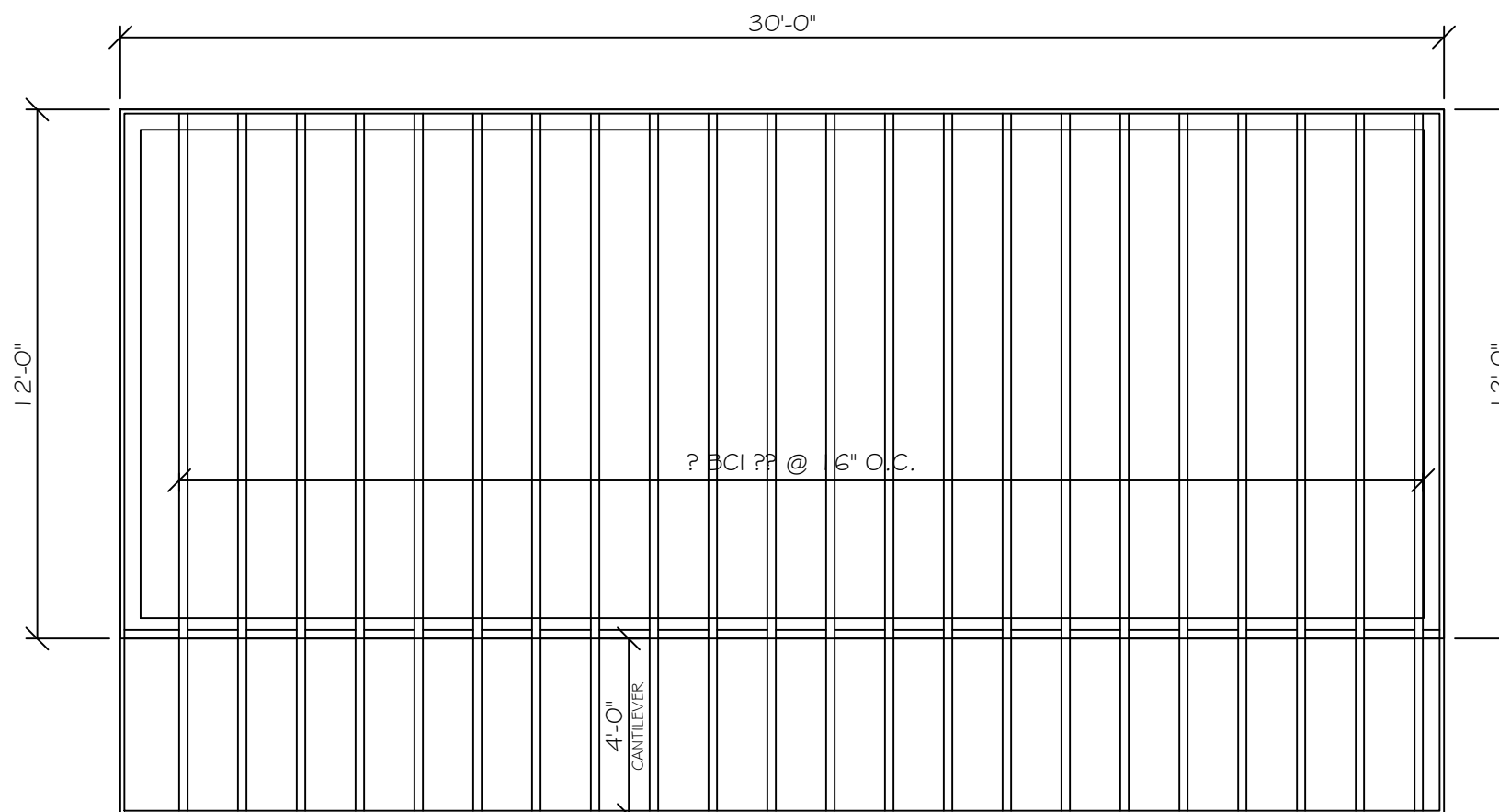
SECTION
SCALE: 1/4" = 1'-0"



LEFT ELEVATION
SCALE: 1/4" = 1'



RIGHT ELEVATION
SCALE: 1/4" = 1'



I-JOIST PLAN
SCALE: 1/4" = 1'

PRELIMINARY DRAWINGS
NOT FOR CONSTRUCTION

© ALL RIGHTS RESERVED. A&S DRAFTING & DESIGN LA GRANDE, OR. 97850
DO NOT COPY, REUSE, OR DISTRIBUTE WITHOUT THE WRITTEN CONSENT OF A&S DRAFTING & DESIGN.

A I

SHEET NO. 1 of 1

DATE: 1/01/15
REV'D: XXXXXX

DRAWN BY: SCOTT PETERSEN

PROJECT INFO:
2402 CEDAR ST.
LA GRANDE, OR 97850

PROJECT: PIONEER PARK CONCESSION STAND

CONTACT: SCOTT PETERSEN
641.360.4827
scodrafting@charter.net

A&S DRAFTING & DESIGN
LA GRANDE, OREGON 97850